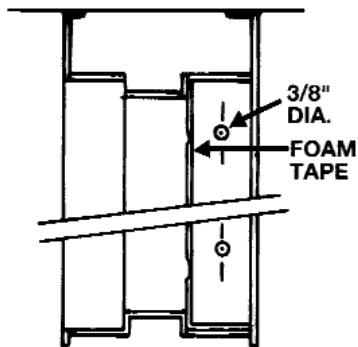
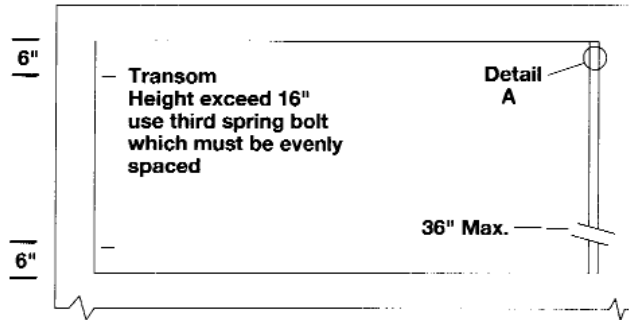
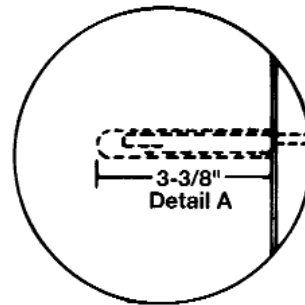


Mohawk Transoms

Spring Bolt Placement Detail



Installation Detail



Spring Bolt Installation Detail
Listed spring bolts must be used



End match

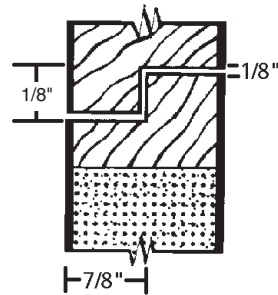


Continuous match

Transom

Sizes available 4/0 through 10/0. Doors available with continuous match or end match. Bottom rail of transom runs full width. Bottom rail of transom softwood standard. Matching species by special request.

Standard Rabbet



MOHAWK
FLUSH DOORS, INC.
PREMDOR

