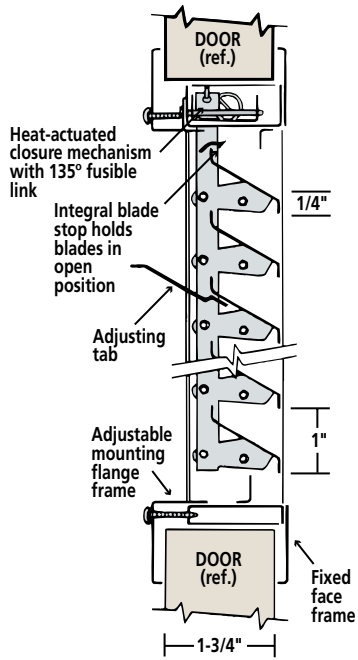


Mohawk Louvers

Metal Fusible Link Louver

24 x 24 steel fusible link. Minimum distance to bottom of door is 10 inches. Minimum distance to edge of door or any other cut-out is 6 inches.

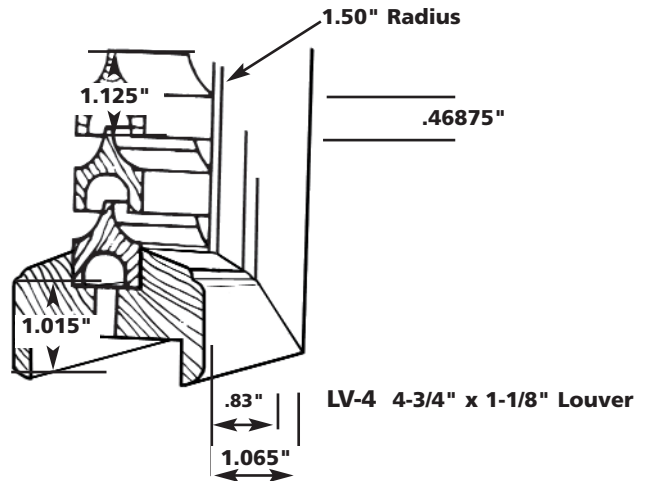
1. Heat-activated closure mechanism with 135° fusible link.
2. Integral blade stop holds blades in open position.
3. Adjusting tab.
4. Adjustable mounting flange frame.
5. Fixed face frame.



Wood Louver Chevron Design

Hardwood louver with approximately 25% free air (of opening size) assembled with Phillips #6-1-1/2" brass-plated, self-tapping screws. All sizes available.

LV-1 1-1/64" x 1-1/16" Louver Moulding



MOHAWK
 FLUSH DOORS, INC.
PREMDOR

