

Mohawk Lead-Lined Doors

Standard Features:

APPLICATION: Used where radiation and X-ray shield required.

MAXIMUM SIZE: 4/0 X 8/0.

FACE: Standard 3-ply wood veneer of all grades, approximately 1/8" thick. Stock veneers: Rotary and Plain Sliced Birch, Plain Sliced Red and White Oak, Rift Cut Red and White Oak, Plain Sliced Walnut, Plain Sliced Honduras Mahogany, Quarter Sliced African Mahogany, Plain Sliced Cherry, and Plain Sliced Maple. Other commercially available hardwood species by special request. 1/8" Tempered Hardboard, Rustic, and Plastic Laminate.

LEAD THICKNESS: 1/16", 1/8", or 1/4". Lead is applied to both sides of door for complete balance.

CORE: Particle core (MPCL) is 28-32 pounds per cubic foot. Wood stave core (MSLCL) bonded wood blocks, meets or exceeds Industry Standards.

ADHESIVE: Type I Waterproof.

STILES: 1-3/8" hardwood stiles securely bonded to the core, then sanded smooth. Dimensions are prior to factory trimming.

RAILS: 1-3/8" hardwood rails securely bonded to the core, then sanded smooth. Dimensions are prior to factory trimming.

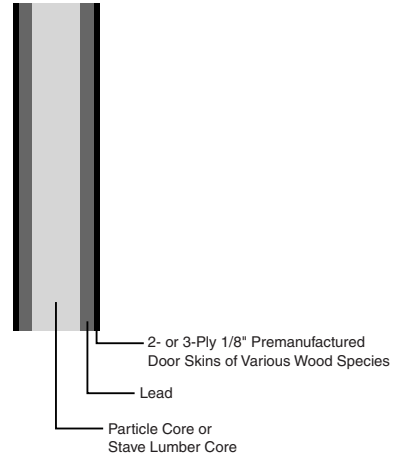
PREFINISH: Premium 2000, 8 standard tints, 8 standard Rustic colors, and one standard paint finish (see prefinish pages 4 and 5). Custom tints available by special request. All 6 sides finished and polywrapped. All standard finishes for interior use only. Finish meets AWI System TR-6 and OP-6 polyurethane.

PRIMED: White all 6 sides by special request.

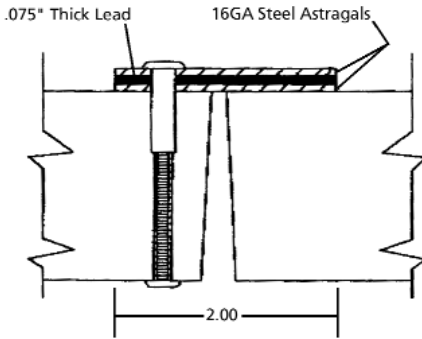
LIGHTS: Per specifications.

MACHINING: Complete machining to your specifications by request.

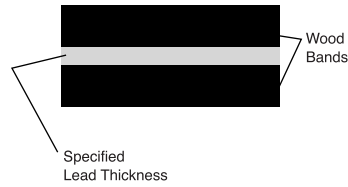
WARRANTY: One-year standard warranty.



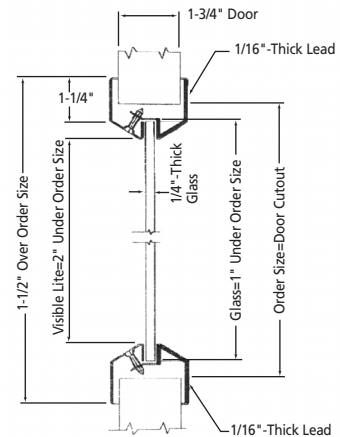
Lead-Lined Metal Astragal



Lead-Lined Wood Astragal



Lead-Lined Metal Vision Panels



MOHAWK
 FLUSH DOORS, INC.
PREMDOR

